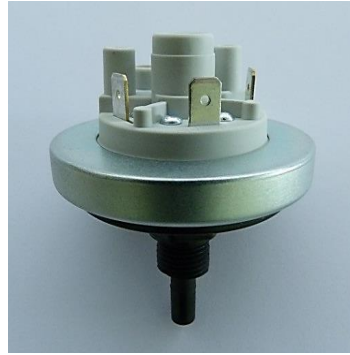


Beck.

The factory-set pressure switch.



Application

Factory-set pressure switch monitoring over-pressure of liquid and gaseous media. Pressure setting and switching differential are factory set by the manufacturer.

Temperature range

Ambient temperature -20° C to 85° C.

Diaphragm material

NBR.

Electrical rating

Values indicated for resistive load

AgNi-contacts: 6(1.5) A/250 VAC
 2 A/24 VDC

Gold-plated contacts: 100 mA/24 VAC
 30 mA/24 VDC

AgNi-contacts up to 10 A/250 VAC can be supplied upon request.

Electrical connection

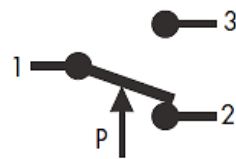
AMP connection 6.3 mm x 0.8 mm DIN 46244.

Pressure connection

Combined hose and threaded connection:
6.5 mm and G1/4, PPS.

PPS = polyphenylensulfide

Arrangement of contacts



CE Conformity

Each depending on technical specification:
Low Voltage Directive 2014/35/EU;
RoHS Directive 2011/65/EU.

Life

Minimum 10⁶ cycles.

Damping

Restrictors alternatively with
0.3/0.5/0.8 mm diameter.

Accessories

Various mounting brackets and
protection caps with IP 54 and IP 65.

Mounting position

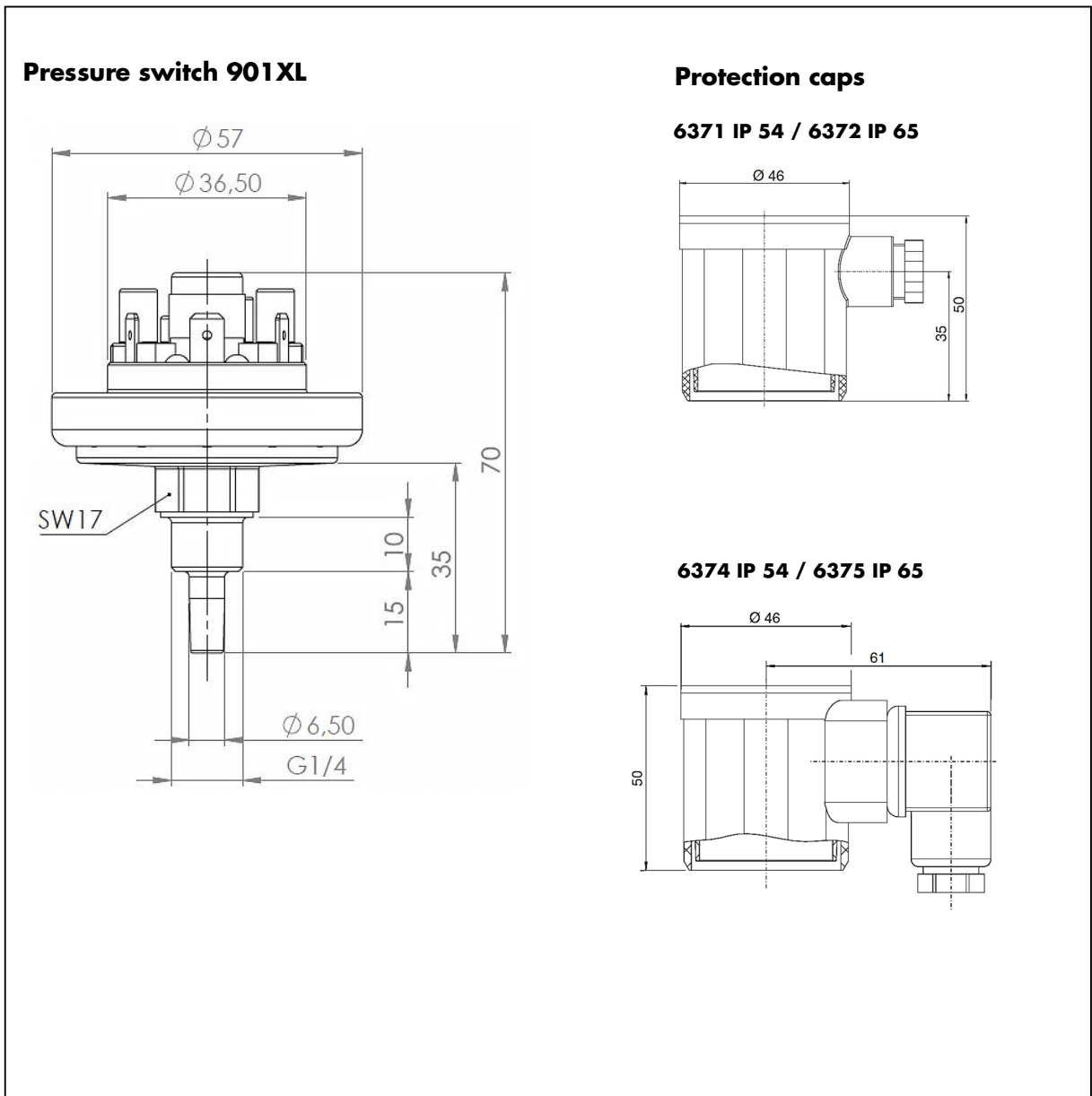
Any position, depending on customer definition.



Pressure range

Typ	Factory-set trip pressure		Standard switching differential		Tolerance band of trip pressure	Maximum positive working pressure
	between	and	lower end of range	upper end of range		
901.XL	3 mbar	50 mbar	1,5 mbar	15 mbar	± 10 %	300 mbar

Dimensions



Beck GmbH
 Druckkontrolltechnik
 Postfach 11 31
 D-71140 Steinenbronn
 Telefon +49 (71 57) 52 87-0
 Telefax +49 (71 57) 52 87-83
 e-mail sales@beck-sensors.com
<http://www.druckschalter.de>